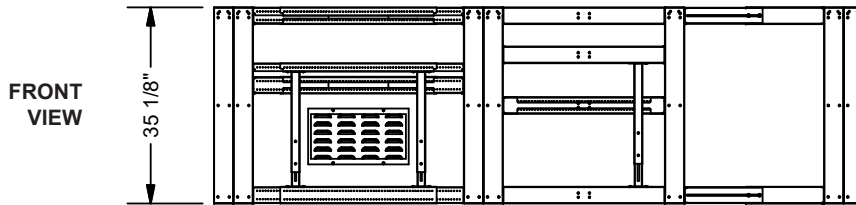
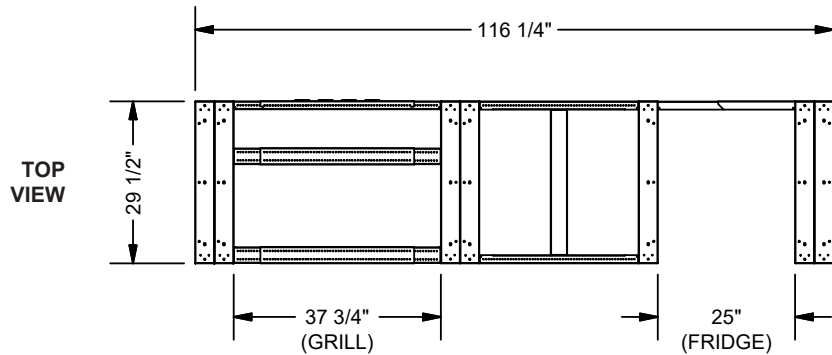
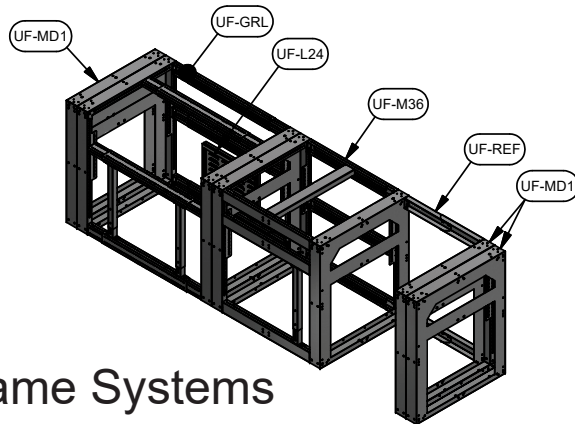


UNIFRAME DETAILS



PRODUCT BREAKDOWN



Uniframe Systems

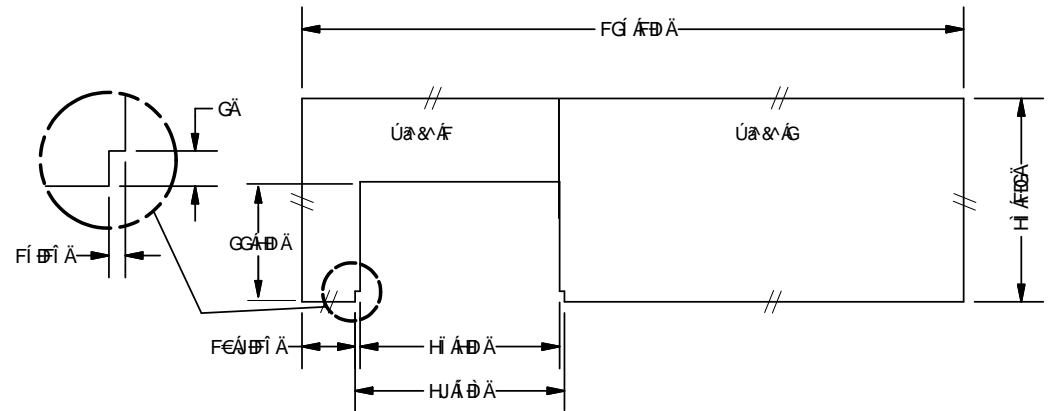
APPLIANCE DETAILS



NOVO
THE NEW AMERICAN BACKYARD



COUNTER DETAILS



// = Rockface Edge

FINISHED SPECIFICATIONS

Overall Length	See above (add approx. 1/2" for cement board, 1/2" for mortar and 1-1/2" for veneer)
Overall Height	35-1/8" (not including counter top)
Overall Depth	~34-1/2" (may vary +/- 1" based on veneer)
Construction	18Ga (.048) Galvanized Steel NON-COMBUSTIBLE Frame
Cement Board	(5) pieces at 3'x5'
Veneer	~60sf Flats, 12lf Corners (may vary based on how veneer is applied)

NOTES

All grill installations must be assembled and ventilated in compliance with all applicable local, state, and federal codes. Final adjustment of module widths and openings to be completed on site.

APPLIANCE SPECIFICATIONS

Grill Head	40" Alta Grill Head by Novo (Available in NG or LP models) Cut-out: 37-3/4"w x 8-1/2"h (incl. counter)
Grill Cabinets	36" 2-Drawer/Door Combo by Novo Cut-out: 33-3/8"w x 19-3/4"h
Trash Drawer	20" Single Trash Drawer by Novo Cut-out: 17-1/2"w x 24-3/8"h
Refrigerator	24" Deluxe Refrigerator by Novo Cut-out: 25"w