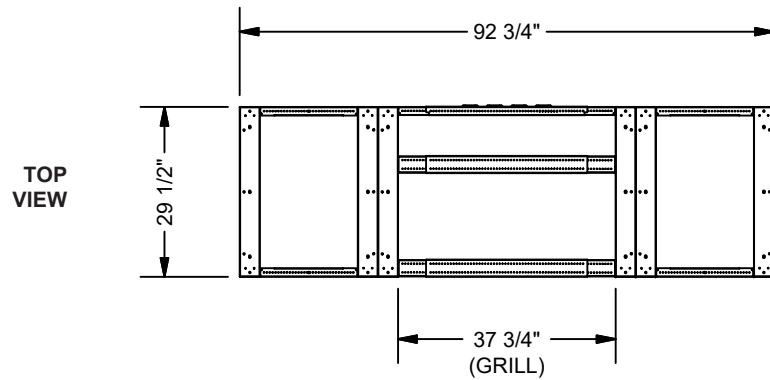
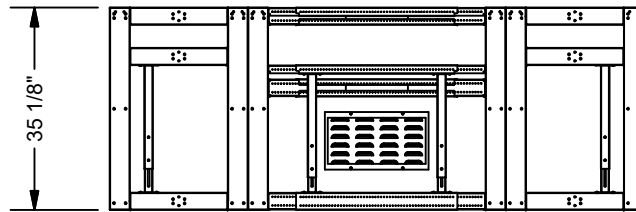


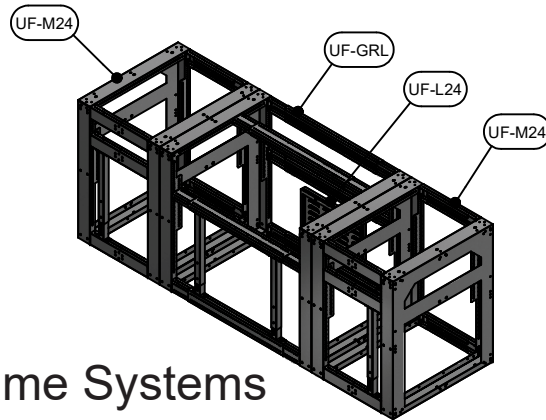
UNIFRAME DETAILS



FRONT VIEW



PRODUCT BREAKDOWN



**Uniframe Systems**

APPLIANCE DETAILS

**NOVO**

THE NEW AMERICAN BACKYARD

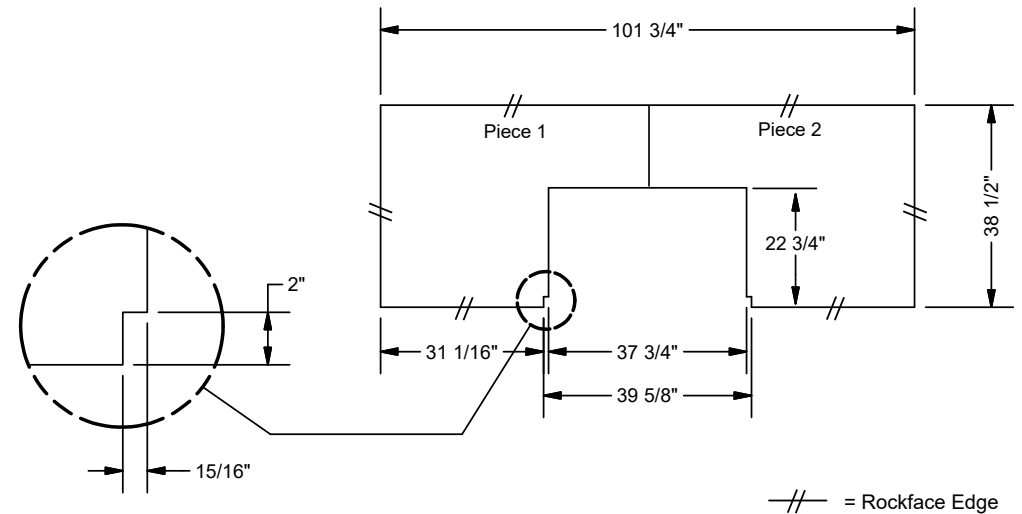


40" Alta Grill Head by Novo



36" 2-Drawer/Door Combo by Novo

COUNTER DETAILS



FINISHED SPECIFICATIONS

|                |  |
|----------------|--|
| Overall Length | See above (add approx. 1/2" for cement board, 1/2" for mortar and 1-1/2" for veneer) |
| Overall Height | 35-1/8" (not including counter top)  |
| Overall Depth  | ~34-1/2" (may vary +/- 1" based on veneer)   |
| Construction   | 18Ga (.048) Galvanized Steel NON-COMBUSTIBLE Frame                                   |
| Cement Board   | (5) pieces at 3'x5'  |
| Veneer         | ~60sf Flats, 12lf Corners (may vary based on how veneer is applied)                  |

NOTES

All grill installations must be assembled and ventilated in compliance with all applicable local, state, and federal codes. Final adjustment of module widths and openings to be completed on site.

APPLIANCE SPECIFICATIONS

|                |   |
|----------------|---|
| Grill Head     | 40" Alta Grill Head by Novo<br>(Available in NG or LP models)<br><b>Cut-out: 37-3/4" w x 8-1/2" h (incl. counter)</b> |
| Grill Cabinets | 36" 2-Drawer/Door Combo by Novo<br><b>Cut-out: 33-3/8" w x 19-3/4" h</b>  |